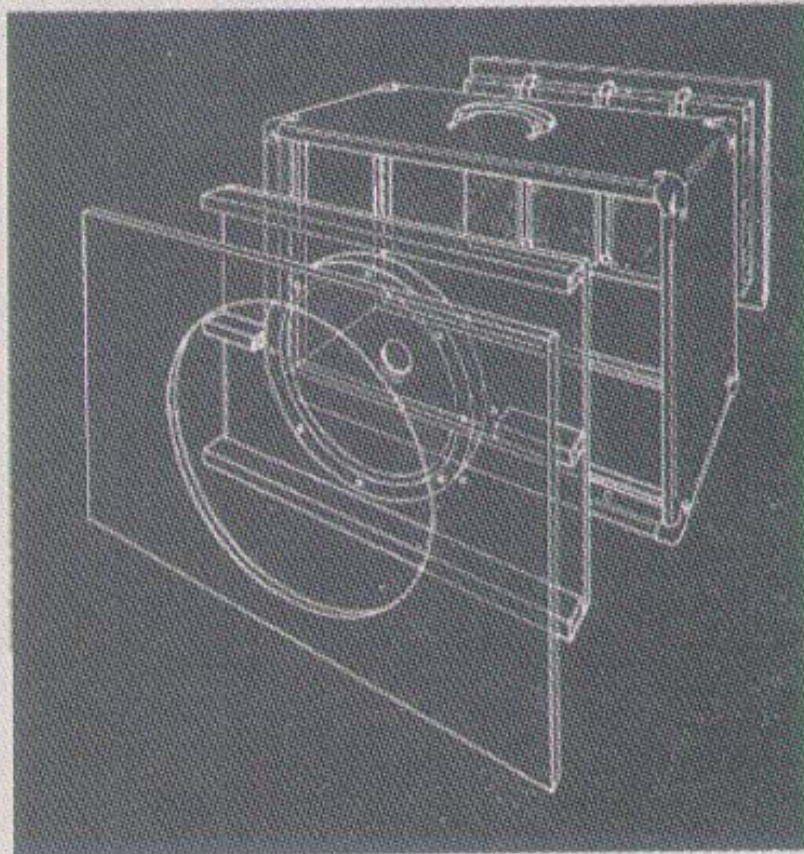
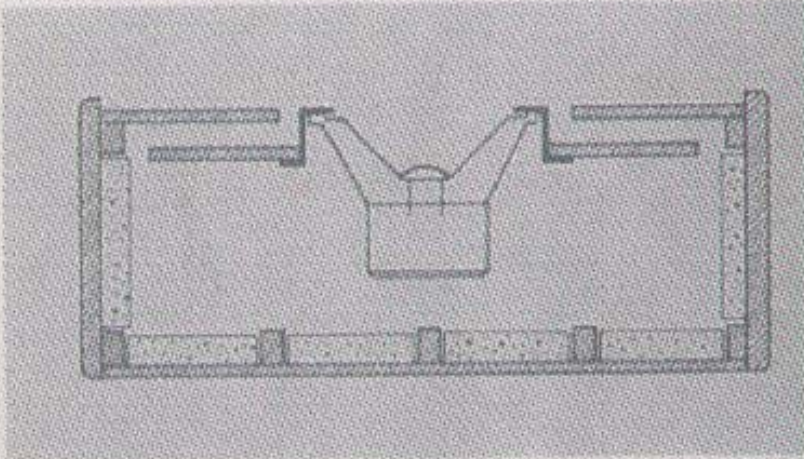


## Tone Ring Cabinets ...

---

The tone ring used by Fender back in the 60's is really a pretty simple design. It's just a front baffle with a hole about 18" big, and an inner baffle held off by 3/4 X 3" standoffs glued & stapled through both sides. The front of the speaker ends up being about flush with the front baffle, and the inner baffle is about 3" shorter than the overall length of the inside dimensions of the cab. The bass freqs sneak around each side of the inner baffle, and exit through the gap between the ring and the front baffle. The back panel is stiffened with the same size materials used for the standoffs to prevent vibration, since there's no center brace. See picture below:



*Fender's new Speaker Enclosure offers the finest in amplified sound reproduction. The Speaker Projector Ring<sup>®</sup> employed eliminates cancellation of front and rear radiation, thus permitting greater speaker efficiency and optimum performance of the enclosure.*