

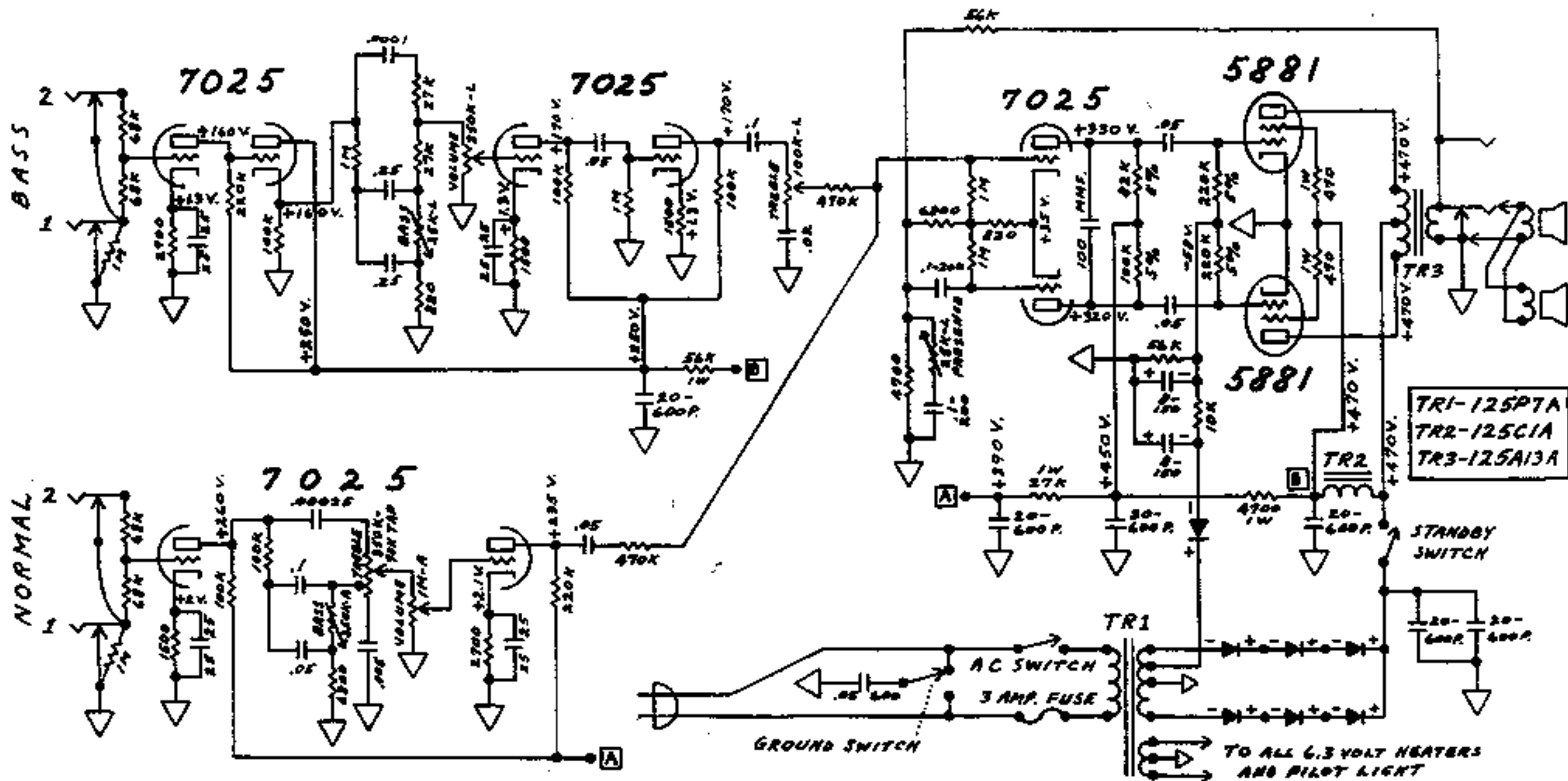
# FENDER "BASSMAN" SCHEMATIC

## MODEL 666-A

A-FB

# NOTICE

- 1- VOLTAGES READ TO GROUND WITH ELECTRONIC VOLTMETER. VALUES SHOWN  $\pm$  OR  $-$  20%
- 2- ALL RESISTORS  $\frac{1}{2}$  WATT, 10% TOLERANCE UNLESS SPECIFIED.
- 3- ALL CAPACITORS AT LEAST 400 VOLT RATING UNLESS SPECIFIED.



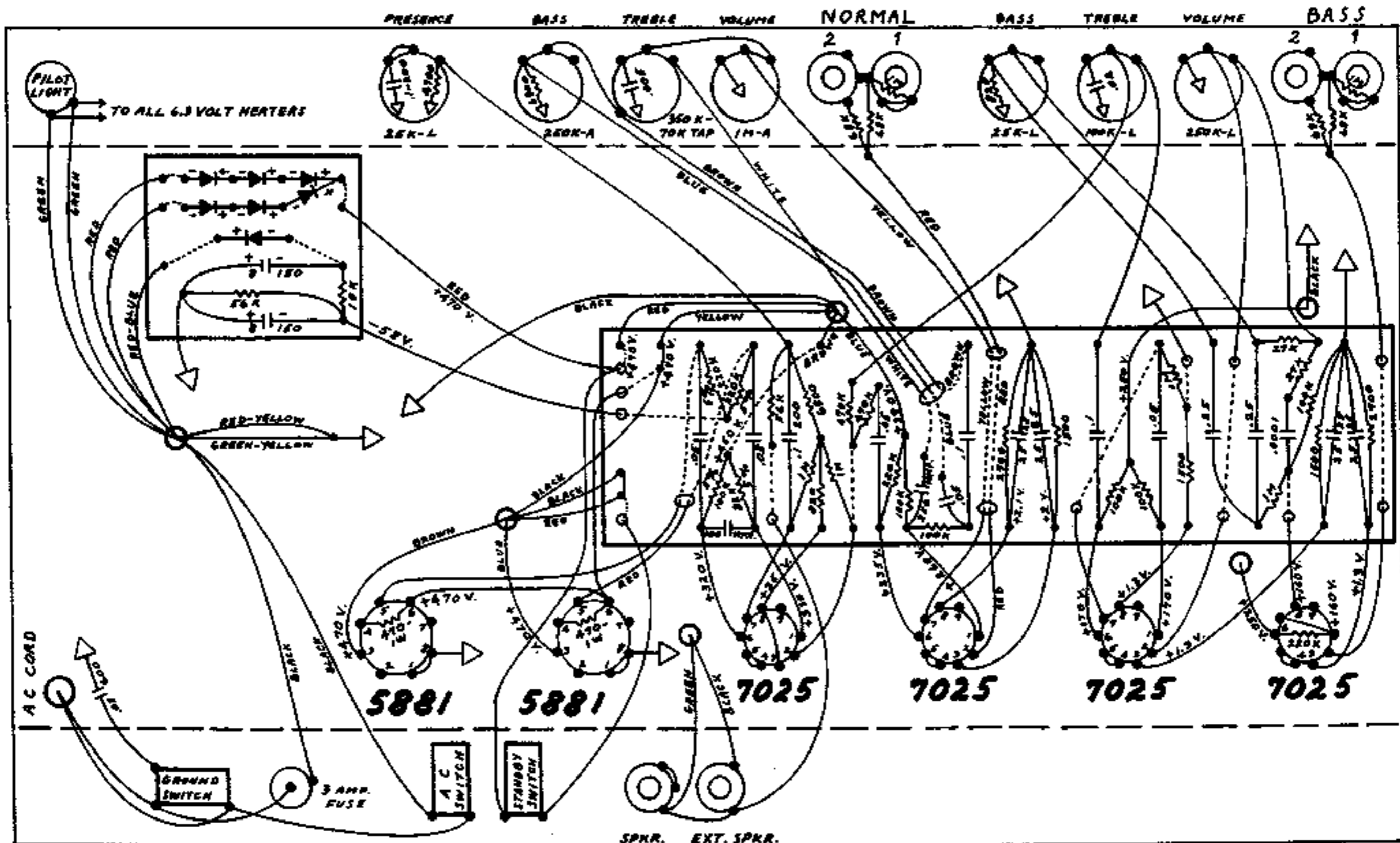
# FENDER "BASSMAN" LAYOUT

## MODEL 666-A

1/8  
A-FB

# NOTICE

VOLTAGES READ TO GROUND WITH ELECTRONIC  
VOLTMETER. VALUES SHOWN + OR - 20%



NOTE - ALL RESISTORS 1/8W, 10% TOLERANCE IF NOT SPECIFIED.

NOTE - ALL CAPACITORS AT LEAST 400 VOLT RATING IF NOT SPECIFIED.