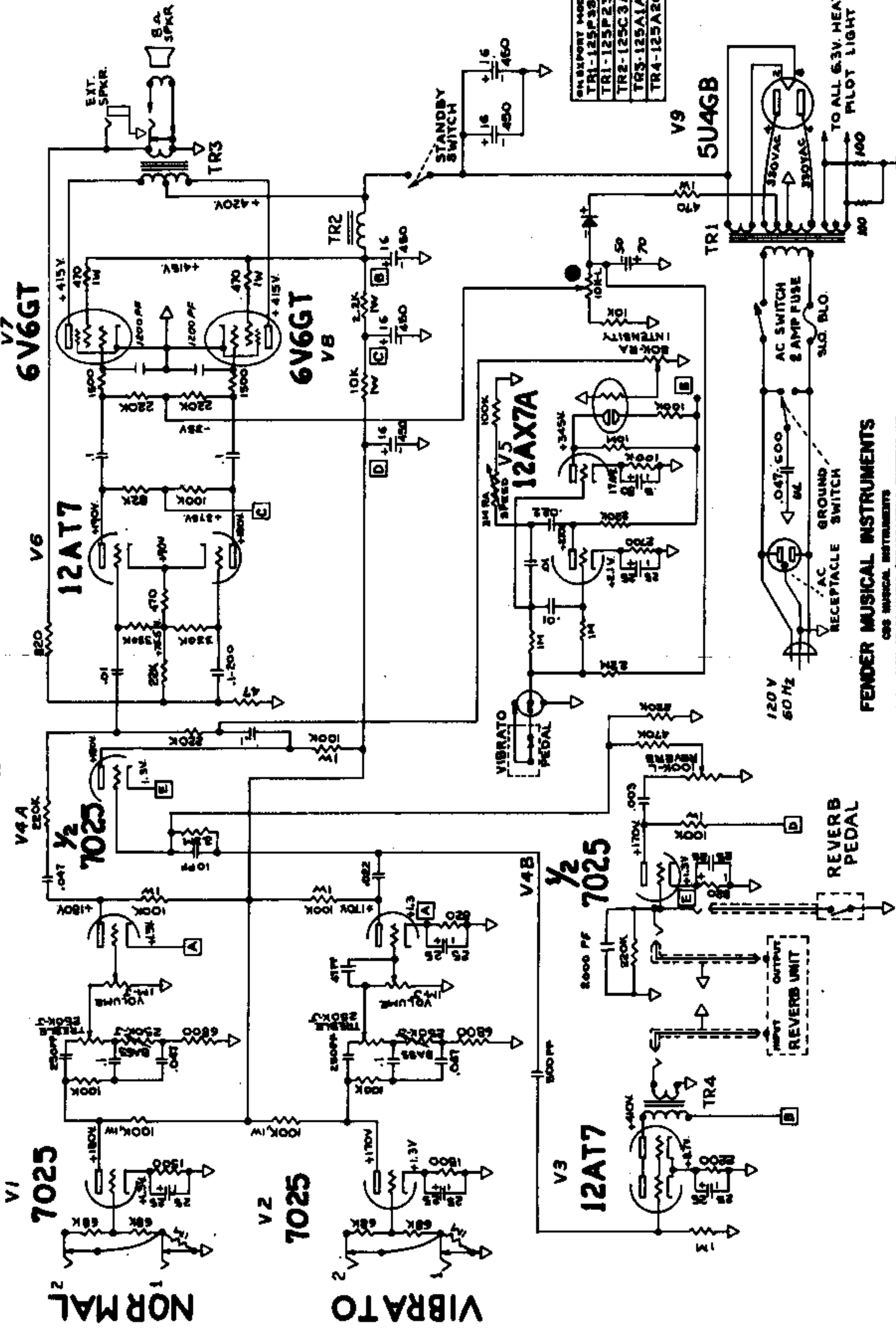


FENDER "DELUXE REVERB-AMPA 1270" SCHEMATIC NOTICE

THIS PRODUCT MANUFACTURED UNDER ONE OR MORE OF THE FOLLOWING U.S. PATENTS: CIRCUIT PATENT #2817706, #2913681 DESIGN PATENT #192859

- 1 - VOLTAGES READ TO GROUND, WITH ELECTRONIC VOLTMETER. VALUES SHOWN + OR - 10%
- 2 - ALL RESISTORS $\frac{1}{2}$ WATT 10% TOLERANCE IF NOT SPECIFIED.
- 3 - ALL CAPACITORS AT LEAST 600VOLT RATINGS IF NOT SPECIFIED.



EXPORT MODEL	FMI PART. NO.
TR1-125P38A	022749
TR1-125P23B	025130
TR2-125C3A	022707
TR3-125A1A	022640
TR4-125A20B	022821

FENDER MUSICAL INSTRUMENTS
 CBS MUSICAL INSTRUMENTS
 A DIVISION OF COLUMBIA BROADCASTING SYSTEMS INC.
 FULLERTON, CALIFORNIA
 U.S.A.

Fender MUSICAL INSTRUMENTS
 SANTA ANA, CALIFORNIA

OWG. TITLE
SCHEMATIC & WIRING DIAGRAM
DELUXE REV-AMP

REL. NO.	530	OWG. NO.	045450
SCALE	AS SHOWN	REV.	6

AMPLIFIED