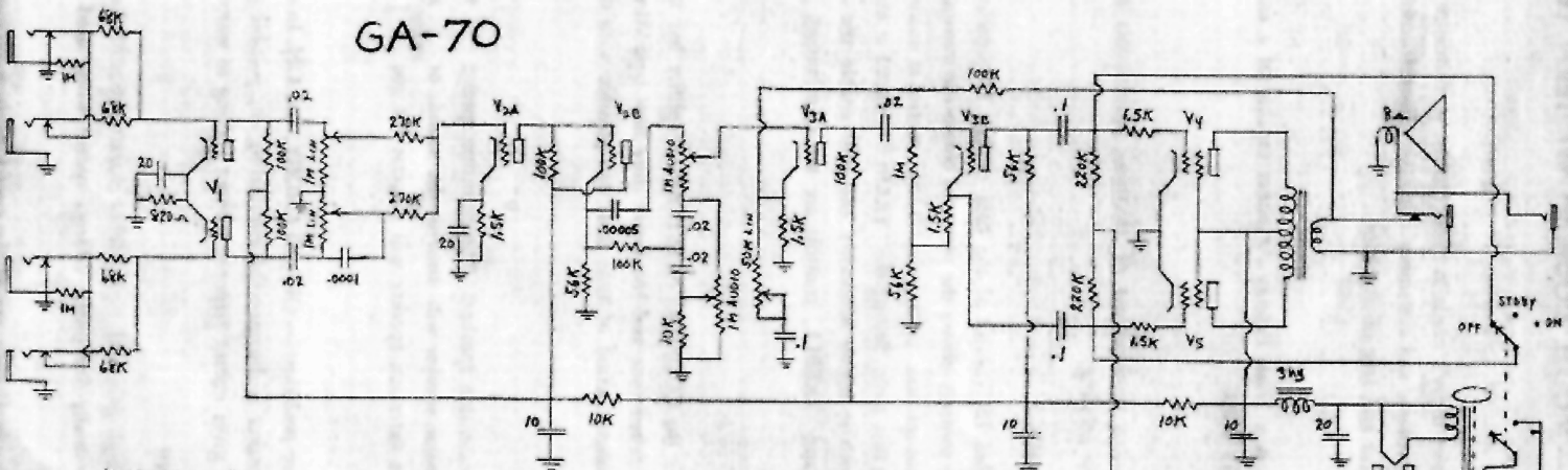


# GA-70



## VOLTAGES TO CHASSIS

TUBE TYPE	EP	E3G	EG	EK
V <sub>1</sub> 12AX7	+130	—	0	+2.1
V <sub>2</sub> 12AX7	+170 R+270	—	+170	+1.25
V <sub>3</sub> 12AU7	+170 R+205	—	+90	+2.25
V <sub>4</sub> 5881	+420	+425	-45	0
V <sub>5</sub> 5881	+420	+425	-45	0
V <sub>6</sub> 5V4G	300 RMS	—	—	+420

ALL D.C. READING USING NMC9 VTVM

## TUBE LOCATION

