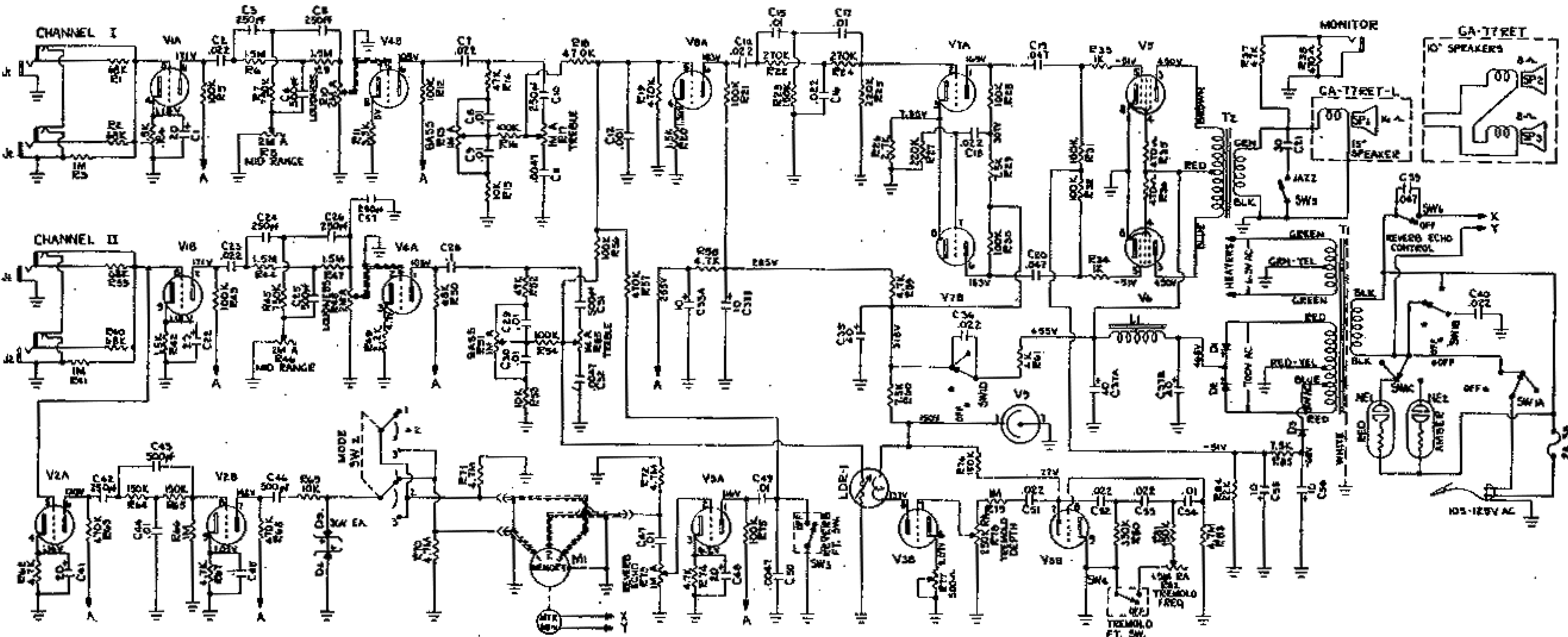


GA-77RET



- | | | | | | |
|------|--------------------------|-----------|-------|---|-------------|
| T1 | Power Transformer | TP-7179 | SR-1 | Light Dependent Resistor | SR-28-340 |
| T2 | Output Transformer | TP-302-28 | SR-2 | Speaker, 10" dia., 15" | SR-1528 |
| SR | Filter Choke | TP-30218 | SR-3 | Speaker, 5" dia., 10" | SR-1530 |
| SR1 | Neon Pilot Light (Red) | PL-328 | SR-4 | Slide, 1200 317, 250 M | SR-57 |
| SR2 | Neon Pilot Light (Amber) | PL-324 | SR-5 | Slide, 800 317, 150 M | SR-58A |
| SR3 | Neon Pilot Light (Green) | PL-324 | SR-6 | Slide, 150, 500 M 2 1/2 | SR-59 |
| SR4 | Neon Pilot Light (White) | PL-324 | SR-7 | Control - 2 meg variac (Brightness & Red-Range) | CR-411-1708 |
| SR5 | Neon Pilot Light (Amber) | PL-324 | SR-8 | Control - 50K potentiometer (Depth) | CR-411-1708 |
| SR6 | Neon Pilot Light (Green) | PL-324 | SR-9 | Control - 1 meg variac (Tremolo & Reverb) | CR-411-1708 |
| SR7 | Neon Pilot Light (White) | PL-324 | SR-10 | Control - 1.5 meg potentiometer (Frequency) | CR-411-1708 |
| SR8 | Neon Pilot Light (Amber) | PL-324 | SR-11 | Control - 1 meg potentiometer with SWR | CR-411-1708 |
| SR9 | Neon Pilot Light (Green) | PL-324 | SR-12 | Control - 1 meg potentiometer with SWR | CR-411-1708 |
| SR10 | Neon Pilot Light (White) | PL-324 | SR-13 | Control - 1 meg potentiometer with SWR | CR-411-1708 |
| SR11 | Neon Pilot Light (Amber) | PL-324 | SR-14 | Control - 50K ohm wire wound (on stop) | CR-411-1708 |
| SR12 | Neon Pilot Light (Green) | PL-324 | SR-15 | Control - 50K ohm wire wound (on stop) | CR-21391 |
| SR13 | Neon Pilot Light (White) | PL-324 | SR-16 | Control - 50K ohm wire wound (on stop) | CR-21391 |

Note: Circuit ground treated as input jacks.

