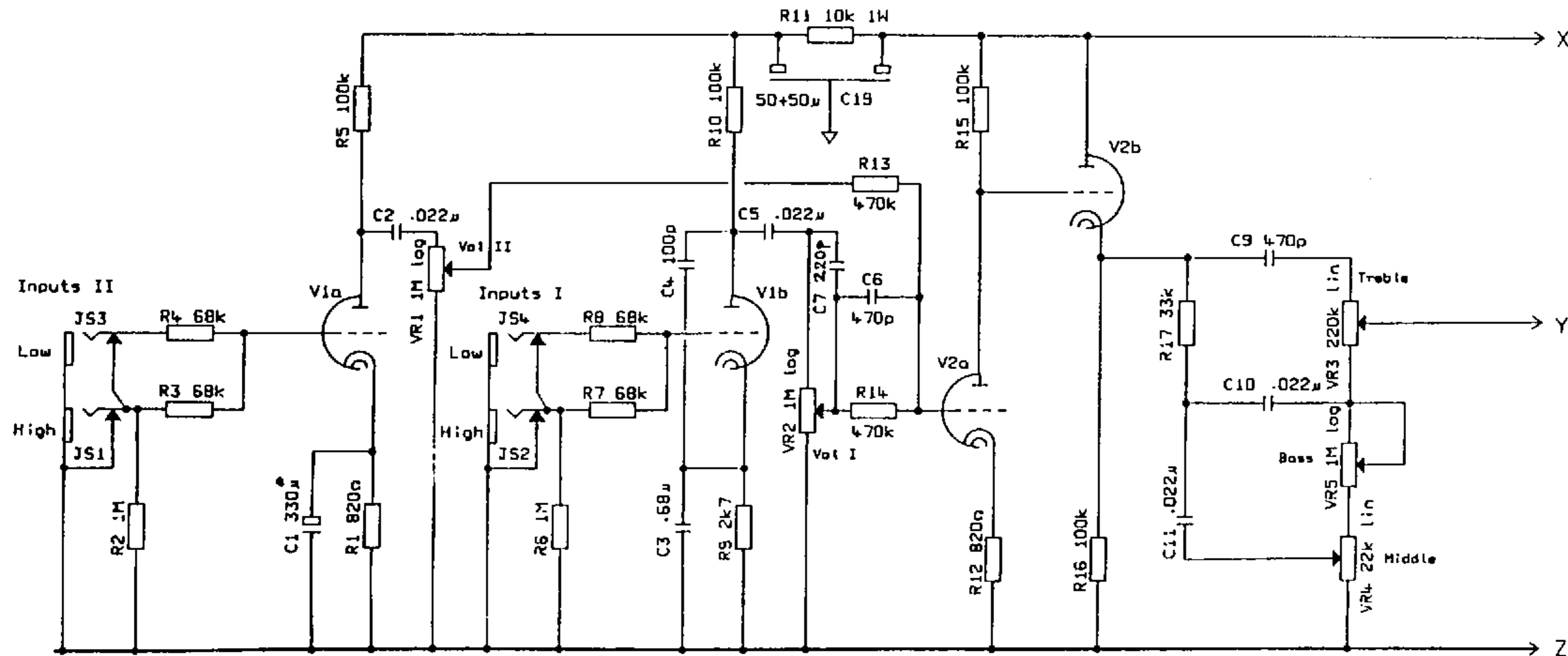


NOTES

PCB: JM80

V1.2: ECC83, filament supply shown on power stage diagram.

JS3.4 chassis mounted and linked to board



4	10-5-88	CPV
ISS. DATE		DRN.

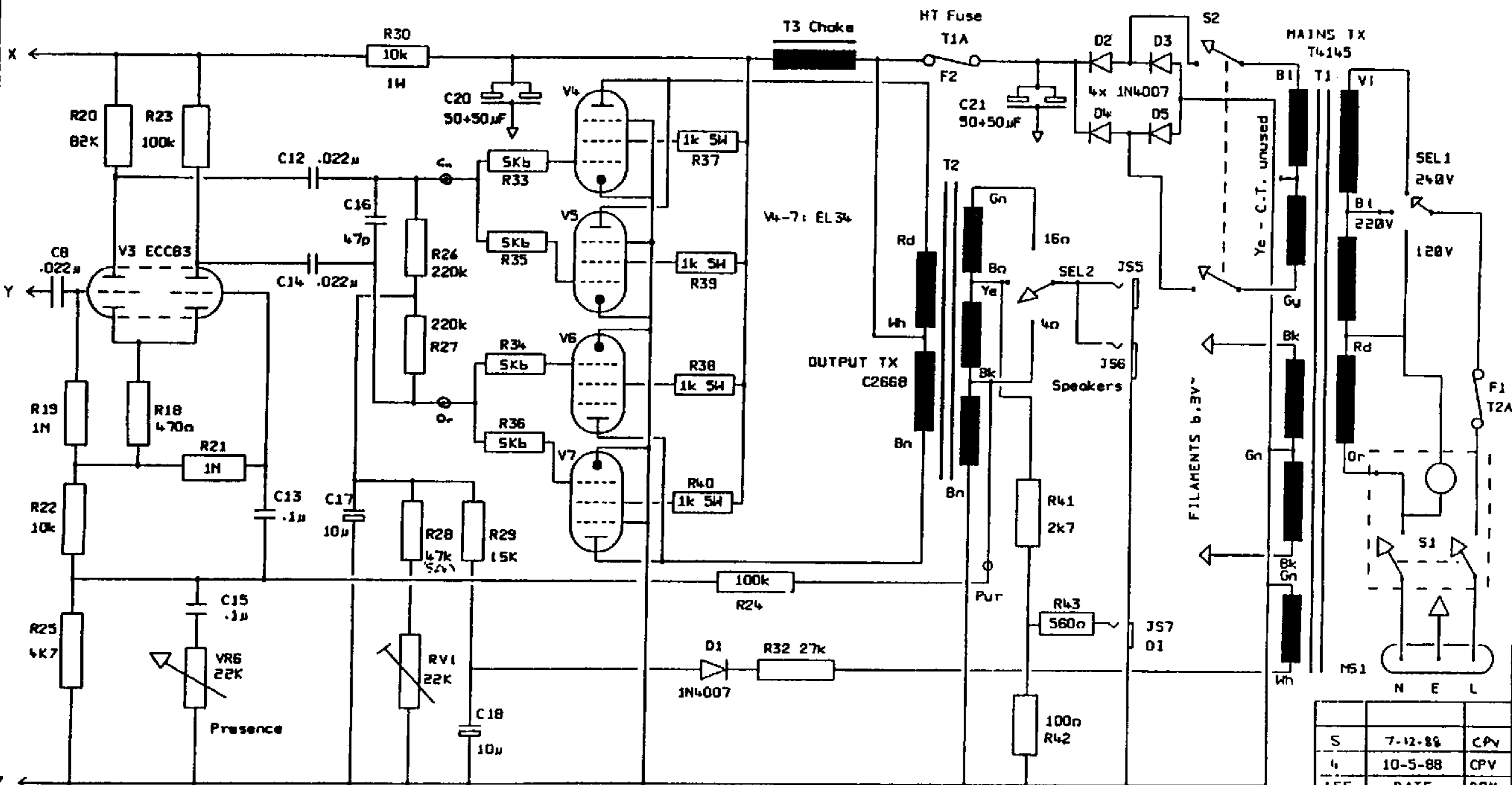
DRAWING NUMBER

1959 STD  
Preamp

MARSHALL

JIM MARSHALL  
PRODUCTS LTD.  
BLETCHLEY  
MILTON KEYNES  
ENGLAND  
File: J987PRE.DGM





S	7-12-88	CPV
4	10-5-88	CPV
ISS.	DATE	DRN.
1959 STD		
Output Stage & PSU		
MARSHALL		
JIM MARSHALL PRODUCTS LTD.		
BLETCHLEY MILTON KEYNES ENGLAND		
File: 1959PR.DGN		