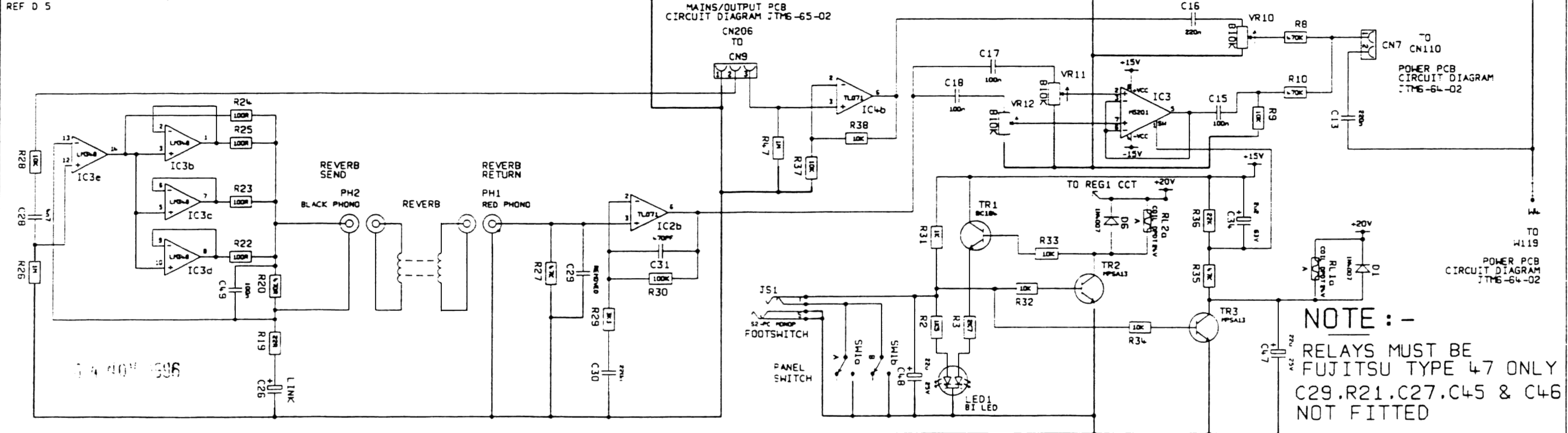
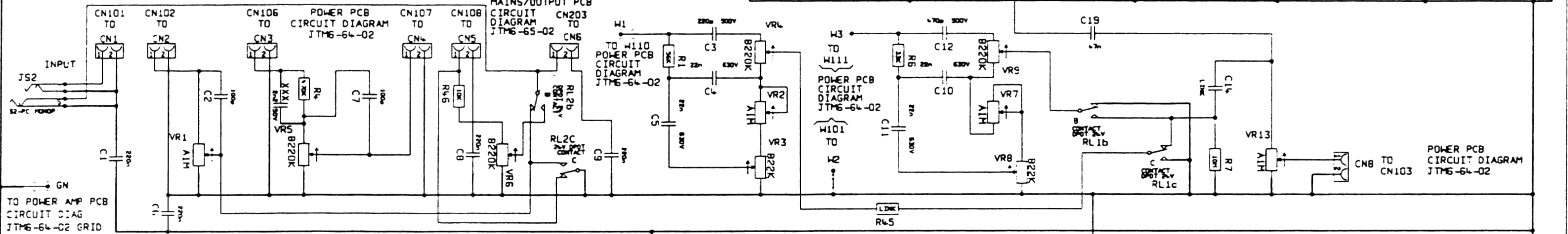
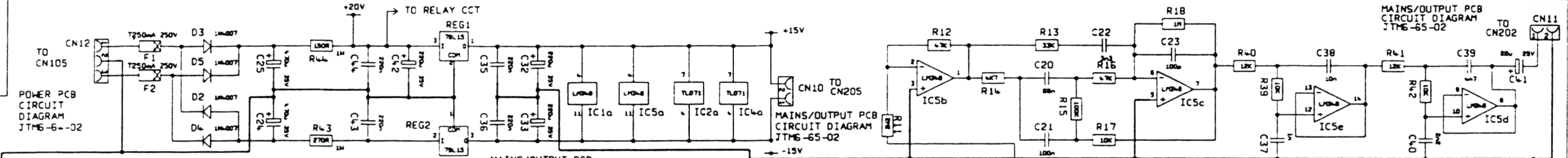
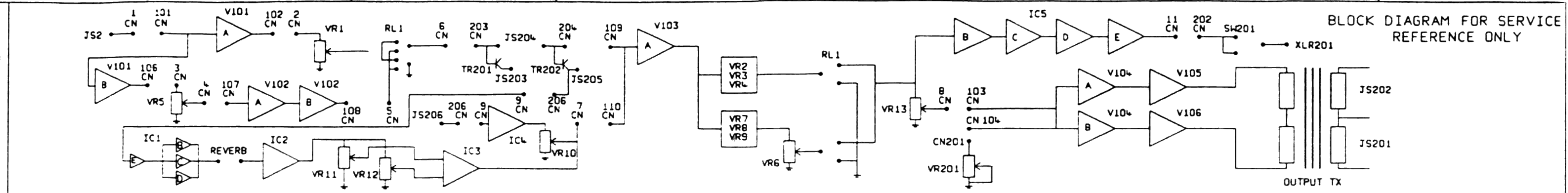


BLOCK DIAGRAM FOR SERVICE REFERENCE ONLY

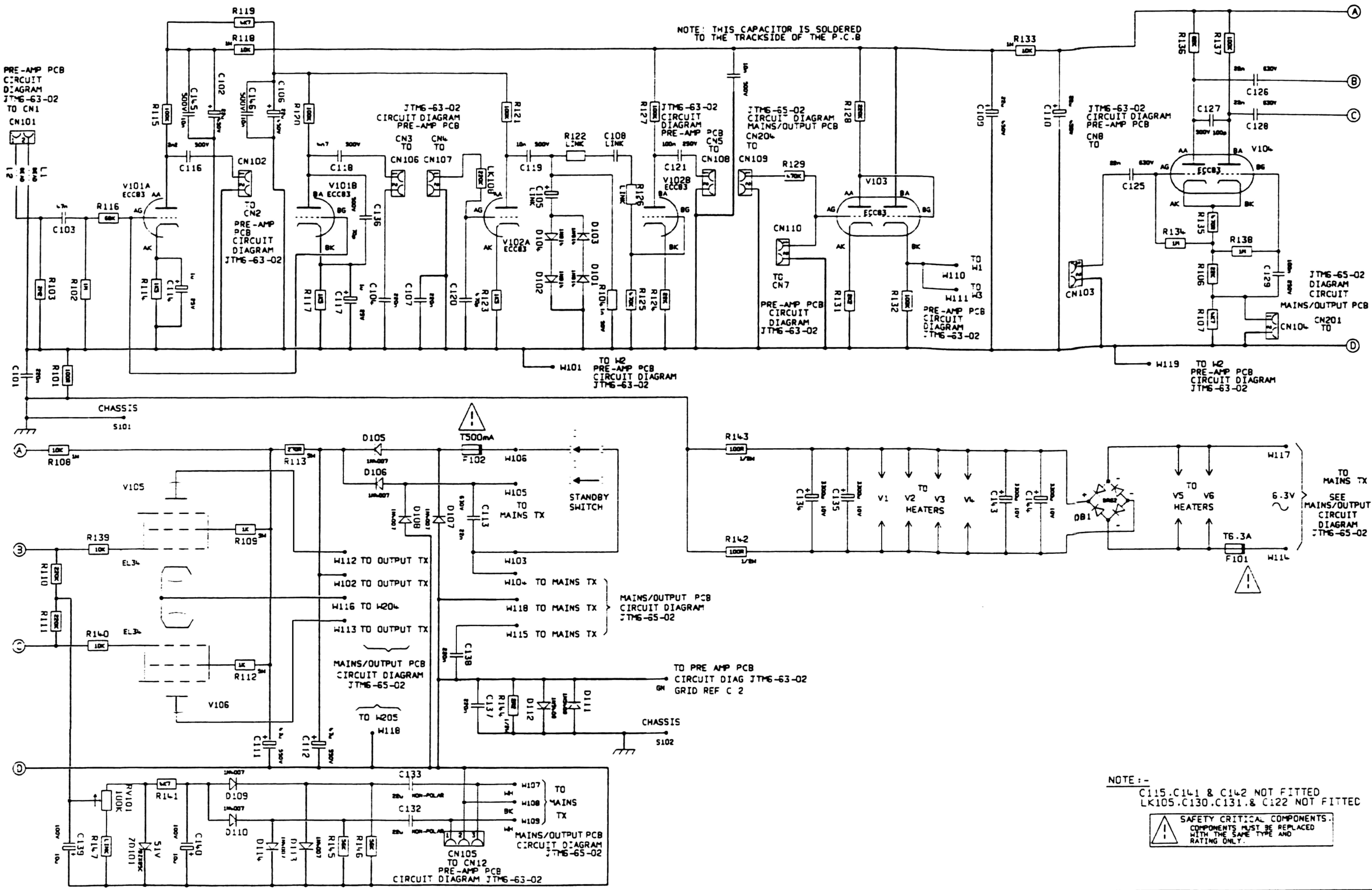


**NOTE :-**  
RELAYS MUST BE FUJITSU TYPE 47 ONLY  
C29, R21, C27, C45 & C46 NOT FITTED

1315		22/10/96		ALL OTHER HOLES -		X - (THROUGH PLATED)		MATERIAL		DIMENSIONS IN				TITLE PRE-AMP PCB CIRCUIT DIAGRAM	
ECO NUMBER		DATE						MATERIAL THICKNESS		TOLERANCE (UNLESS OTHERWISE STATED)				DWG. No J600-60-02	
1315		22/10/96						DRAWN RSB		DATE 24/05/95		MODEL JTM600		C JIM MARSHALL (PRODUCTS) LTD.	
								CHECKED K. Smith		DATE 4-11-96				DENBIGH ROAD, BLETCHLEY, MILTON KEYNES, MK1 10Q.	
								APPROVED C.G.		DATE 4-11-96				TEL (0908)375411 FAX (0908)376118	



DWG. No. J600-61-02



NOTE: THIS CAPACITOR IS SOLDERED TO THE TRACKSIDE OF THE P.C.B.

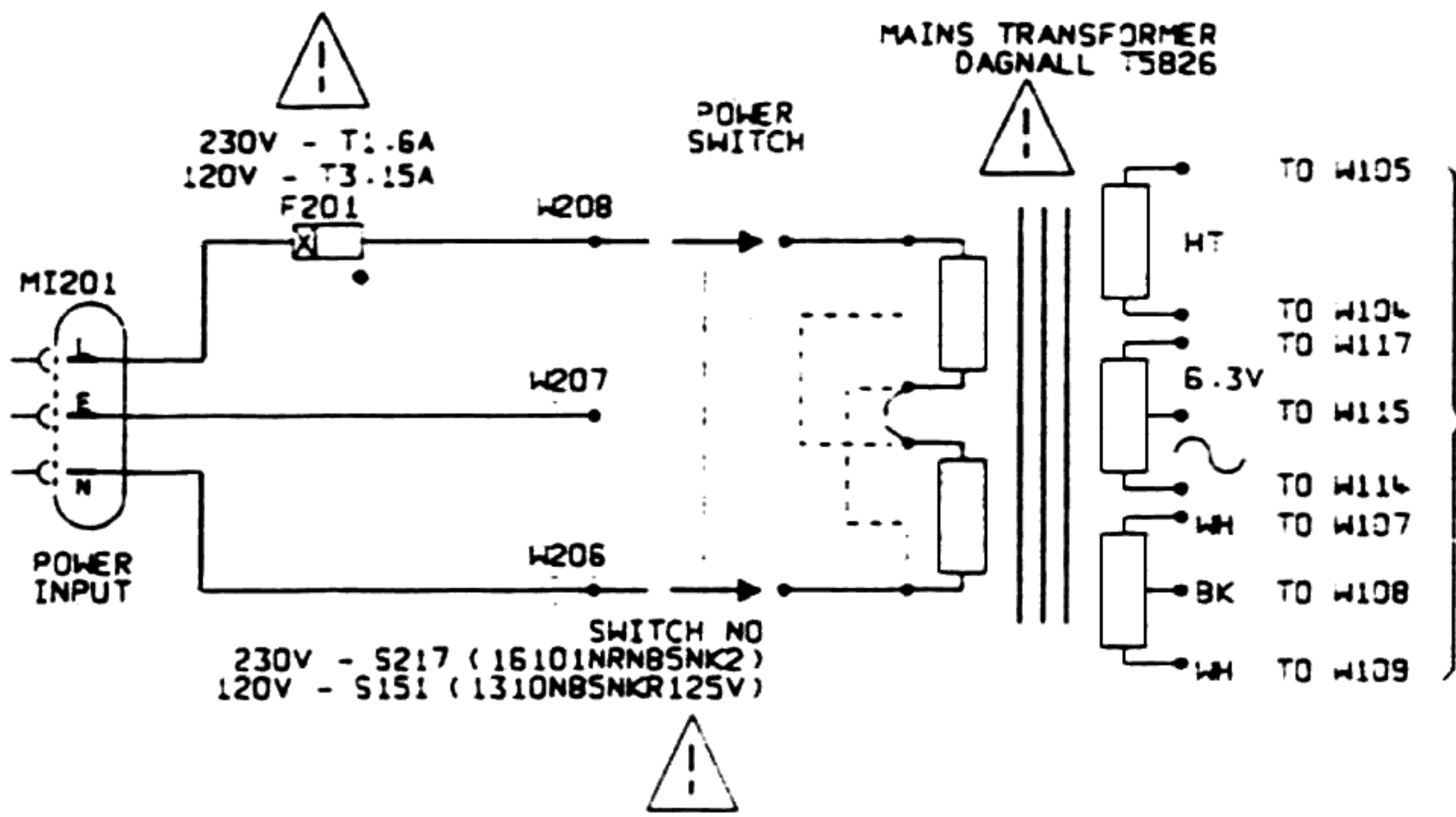
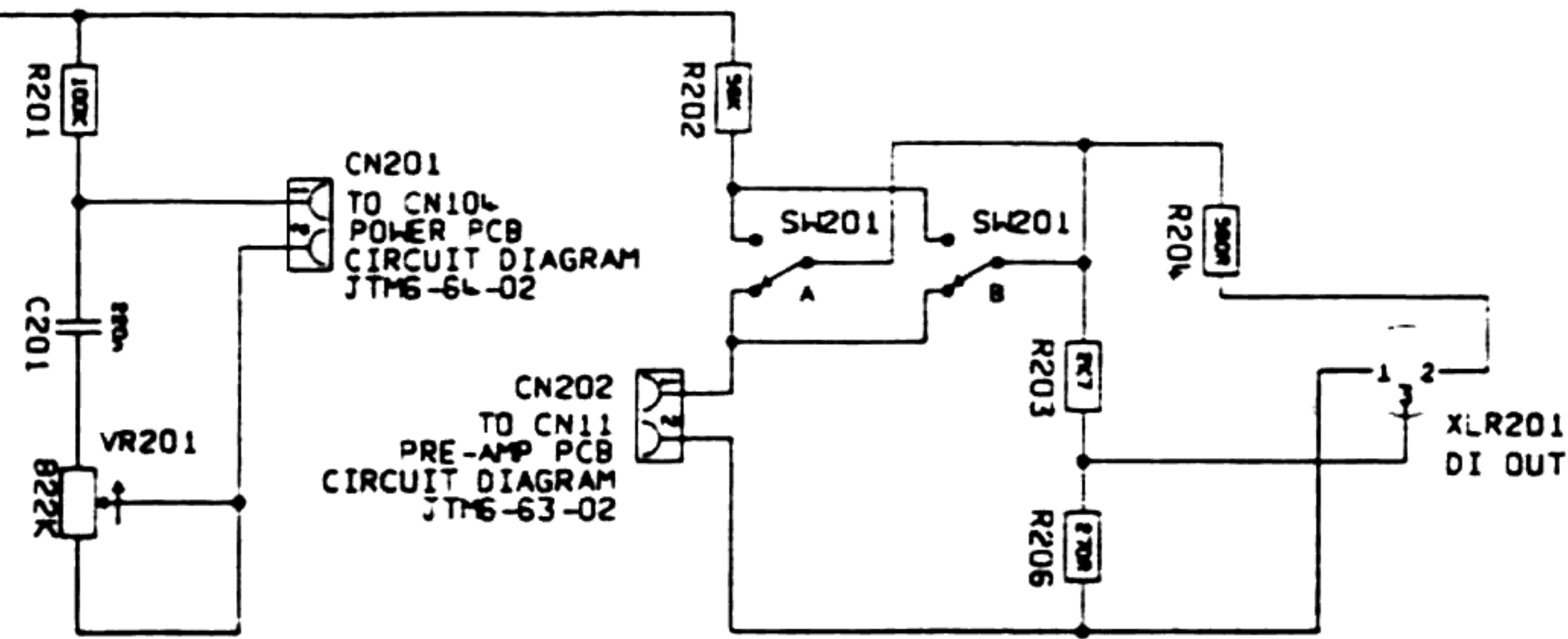
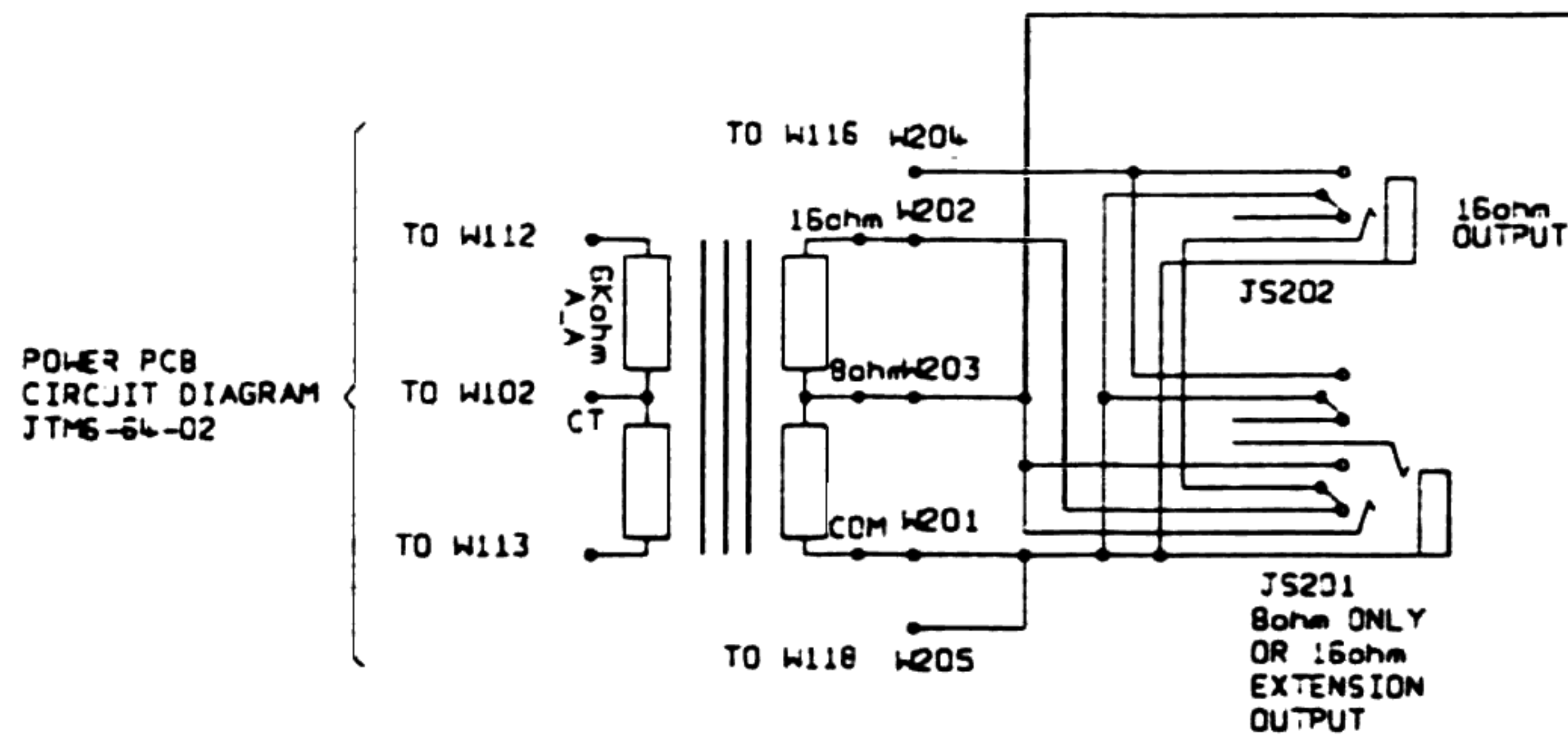
NOTE:-  
C115, C141 & C142 NOT FITTED  
LK105, C130, C131 & C122 NOT FITTED

**SAFETY CRITICAL COMPONENTS:**  
COMPONENTS MUST BE REPLACED WITH THE SAME TYPE AND RATING ONLY.

ECO NUMBER		DATE	ALL OTHER HOLES		X = (THROUGH PLATED)		MATERIAL		DIMENSIONS IN		TITLE	DWG. No	ISS
1	1315	22/10/96	A	E	J	N	MATERIAL THICKNESS	TOLERANCE (UNLESS OTHERWISE STATED)	MODEL	JTM600			
1	1315	22/10/96	A	E	J	N	DRAWN RSB	DATE 04/05/95	CHECKED KSMITH	DATE 4.11.96	JIM MARSHALL (PRODUCTS) LTD. DENBIGH ROAD, BLETCHLEY, MILTON KEYNES, MK1 108. TEL (0508) 375411 FAX (0508) 376118		
ISS	ECO NUMBER	DATE	B	F	K	P	APPROVED JG	DATE 4.4.96				J600-61-02	1

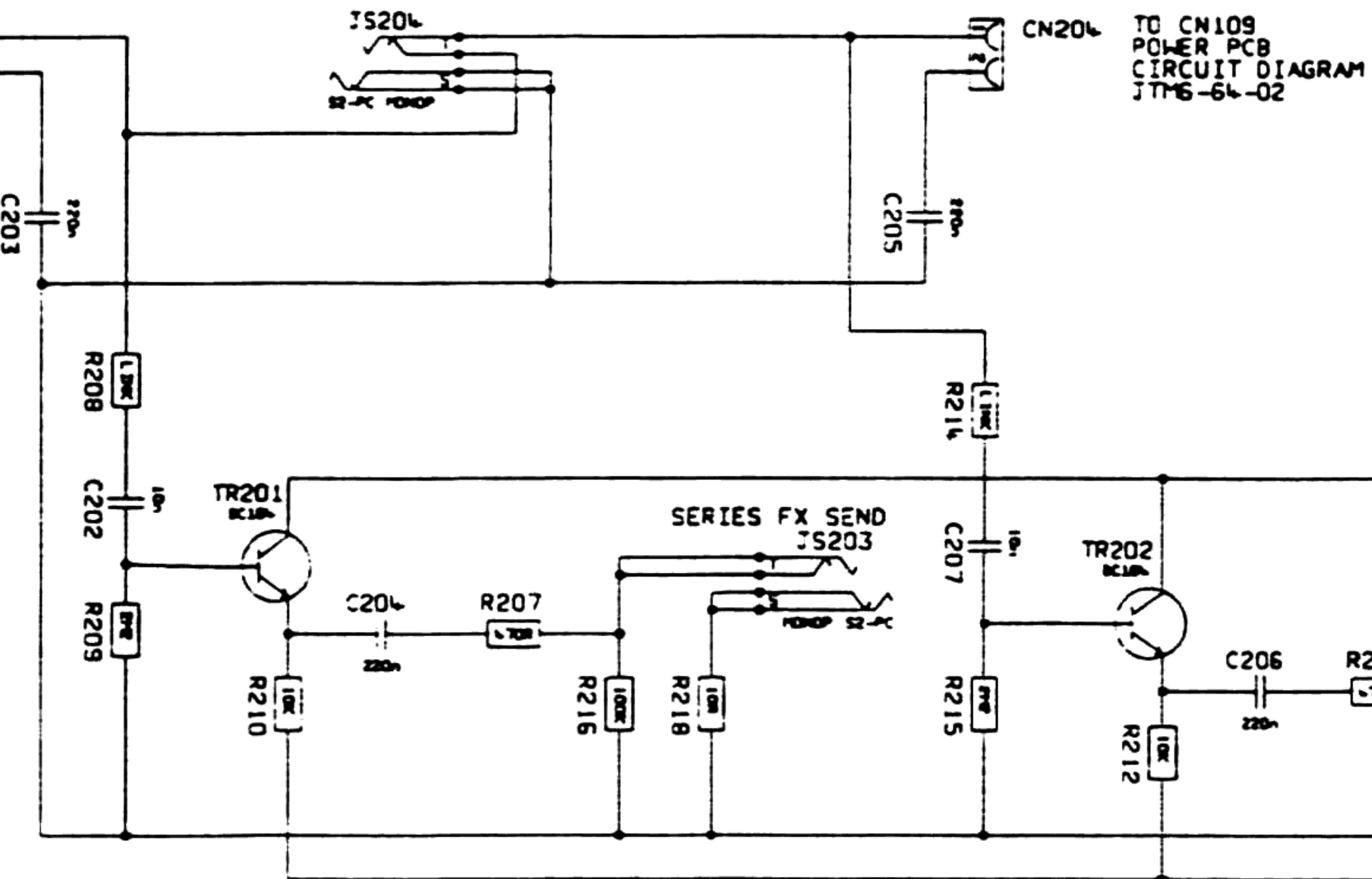


OUTPUT TRANSFORMER DRAKE 292\_772



TO CN6 CN203  
PRE-AMP PCB  
CIRCUIT DIAGRAM  
JTM6-63-02

SERIES FX RETURN



TO CN109  
POWER PCB  
CIRCUIT DIAGRAM  
JTM6-64-02

TO CN10  
PRE-AMP PCB  
CIRCUIT DIAGRAM  
JTM6-63-02

TO CN9  
PRE-AMP PCB  
CIRCUIT DIAGRAM  
JTM6-63-02

NOTE:- R205 & LK201 NOT FITTED

SAFETY CRITICAL COMPONENTS.  
COMPONENTS MUST BE REPLACED  
WITH THE SAME TYPE AND  
RATING ONLY.

ALL OTHER HOLES -		X - (THROUGH PLATED)	
A	E	J	N
B	F	K	P
C	G	L	Q
D	H	M	R

ISS	ECO NUMBER	DATE	BY	DATE
1	L315	22/10/96	SG	4.11.96

**Marshall**  
 JIM MARSHALL (PRODUCTS) LTD.  
 DENBIGH ROAD, SLEIGHTLEY, MILTON KEYNES, MK1 1DB.  
 TEL (0508) 375411 FAX (0508) 376118

TITLE	MAINS/OUTPUT PCB CIRCUIT DIAGRAM
DWG.No	J600-62-02
ISS	1