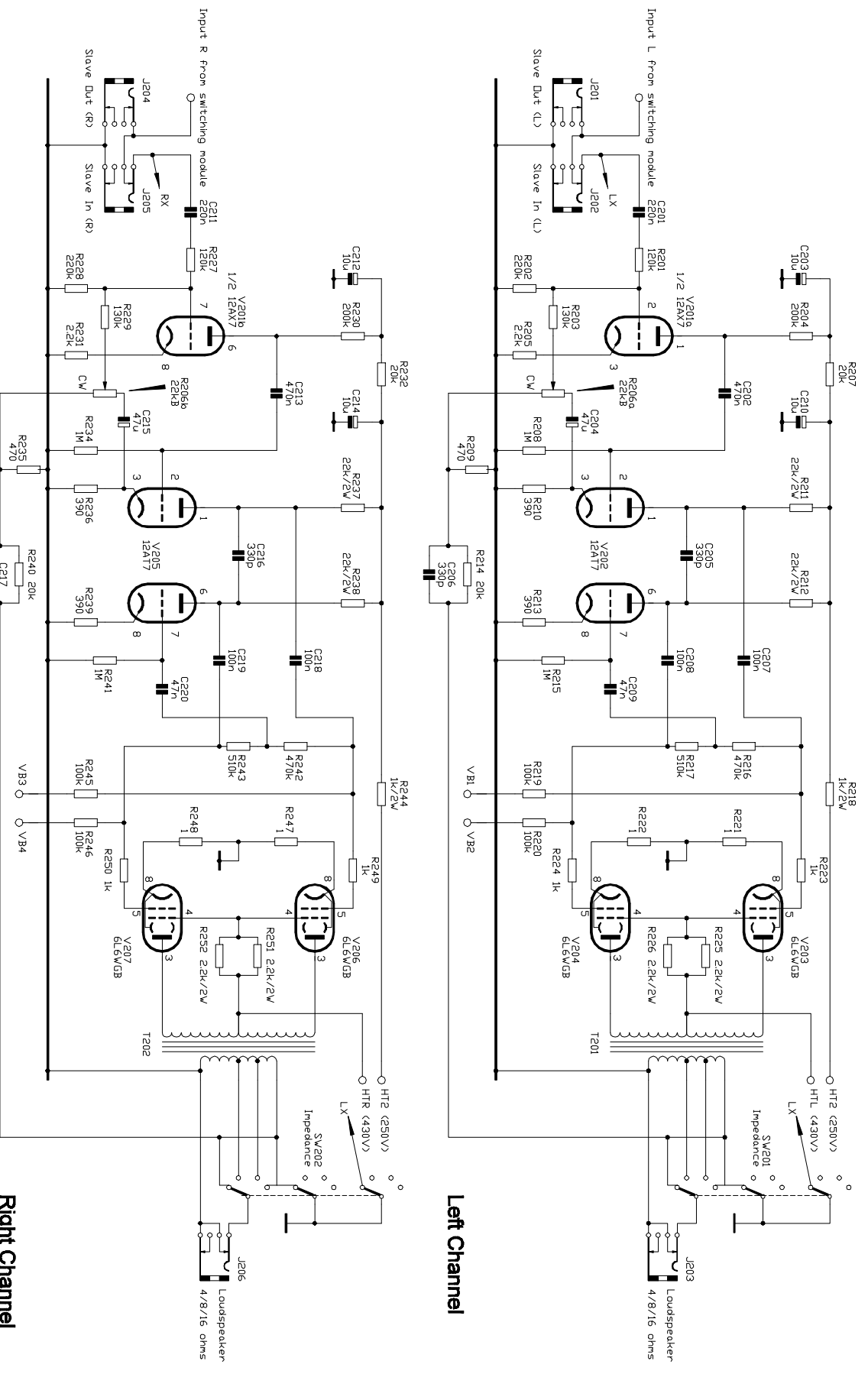


NOTES
 Items marked 'RLX' are gain switching relays, shown on the Switching Module circuit diagram

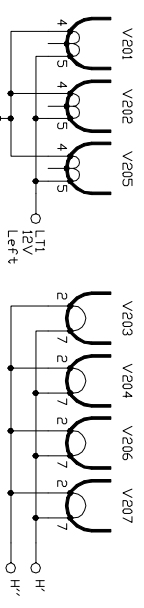
All information presented herein is copyright (C)1996-1998 Duncan Amplification, and may not be reproduced in whole or in part without the written consent of the copyright holder.

		DDS-2250V Preamp A/B	
		Drawn	3/9/97
By:	DW	2	28/9/97
Scale	NTS	3	5/1/98



Left Channel

Right Channel



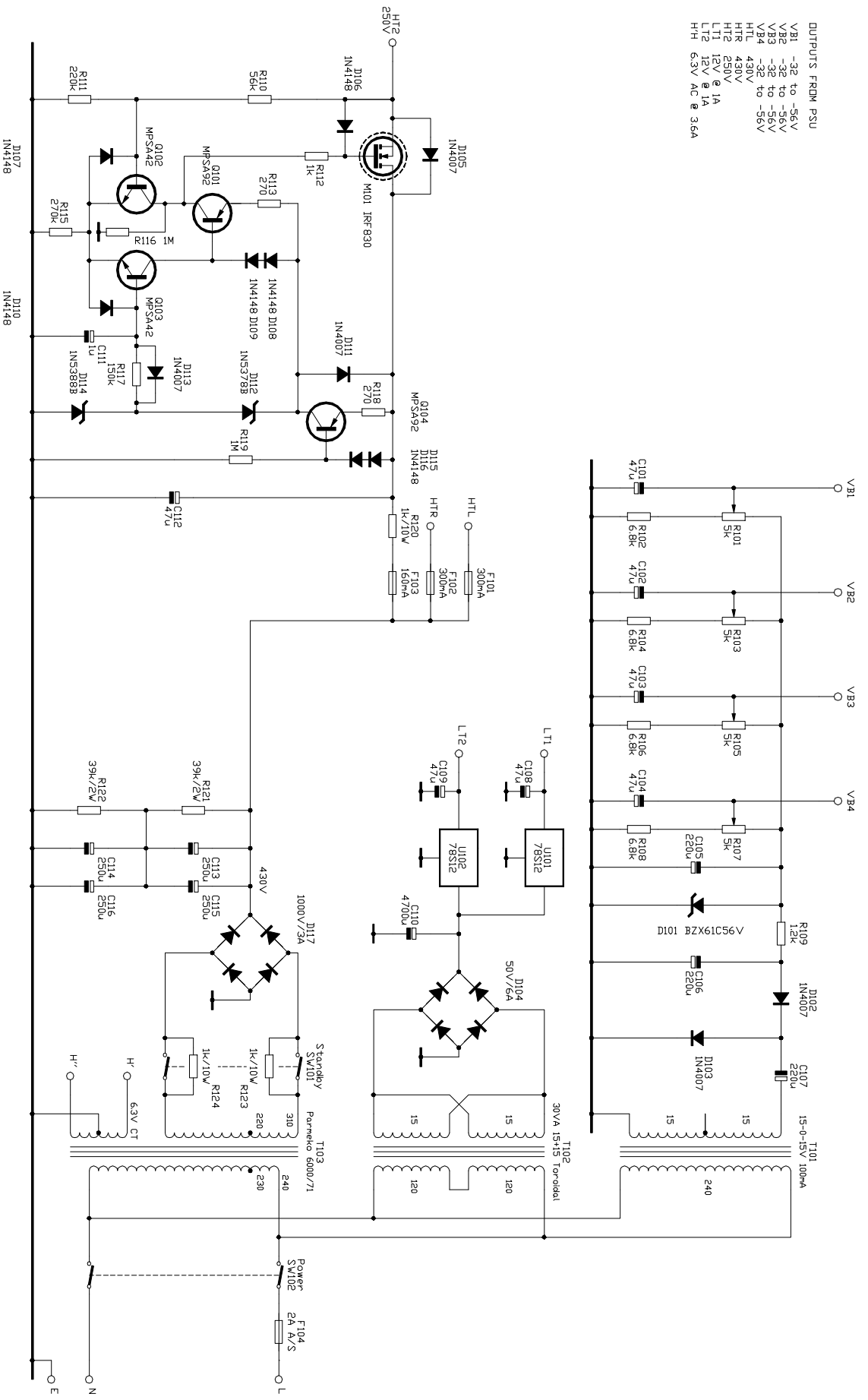
IMPEDANCE SWITCH

NOTES
 All resistors 0.6W metal film unless otherwise noted
 T201/T202 are Trace Elliot part no. 73-TRAN-SUV-DP
 R206a/b is damping control

All information presented herein is copy/right (C)1996-1998 Duncan Amplification, and may not be reproduced in whole or in part without the written consent of the copy/right holder.

Duncan DDS-2250V Power Amps			
Drawn	3/9/97	ISSUE	DATE
By:	DM	2	5/1/98
Scale	NTS		

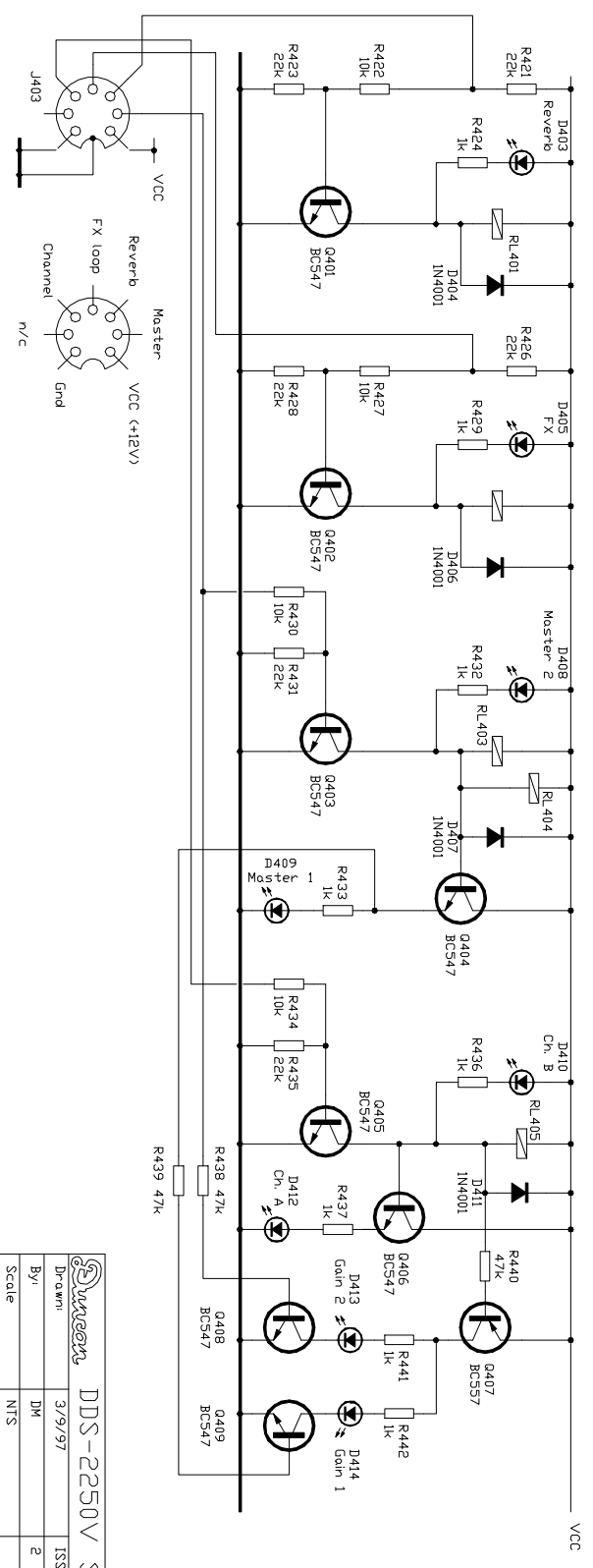
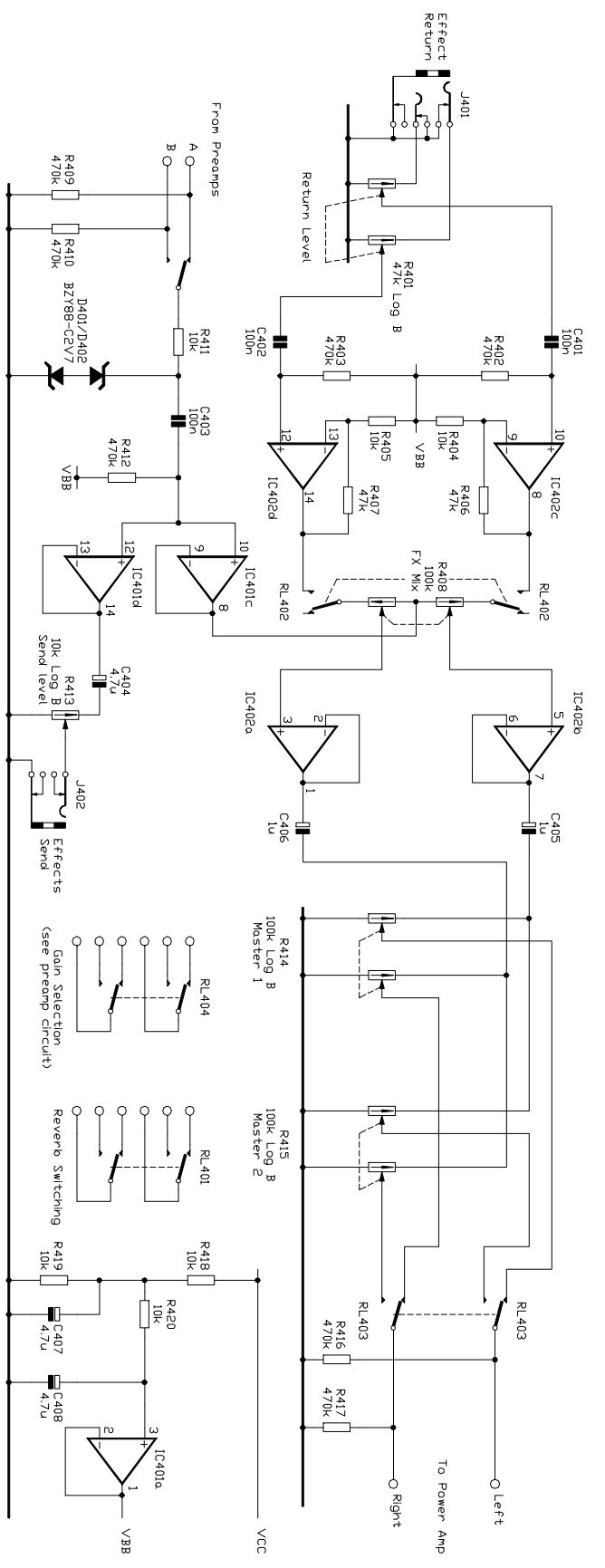
OUTPUTS FROM PSU
 VB1 -32 to -56V
 VB2 -32 to -56V
 VB3 -32 to -56V
 VB4 -32 to -56V
 HTL 430V
 HTR 430V
 HT2 250V
 LT1 12V @ 1A
 LT2 12V @ 1A
 HH 6.3V AC @ 3.6A



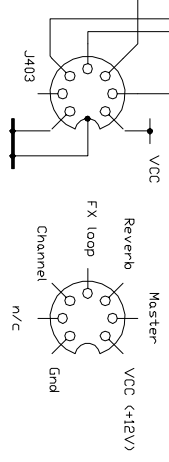
NOTES

All information presented herein is copyright (C)1989-1998 Duncan Amplification, and may not be reproduced in whole or in part without the written consent of the copyright holder.

DDS-2250V Power Supply			
Drawn	3/9/97	ISSUE	2
By:	DM	DATE	5/1/98
Scale	NTS		



NOTES
IC401/402 are TL074



All information presented herein is copyright (C)1996-1998 Duncan Amplification, and may not be reproduced in whole or in part without the written consent of the copyright holder.

DDS-2250V Switching

Drawn	3/9/97	ISSUE	DATE
By:	DM	2	5/1/98
Scale	NTS		